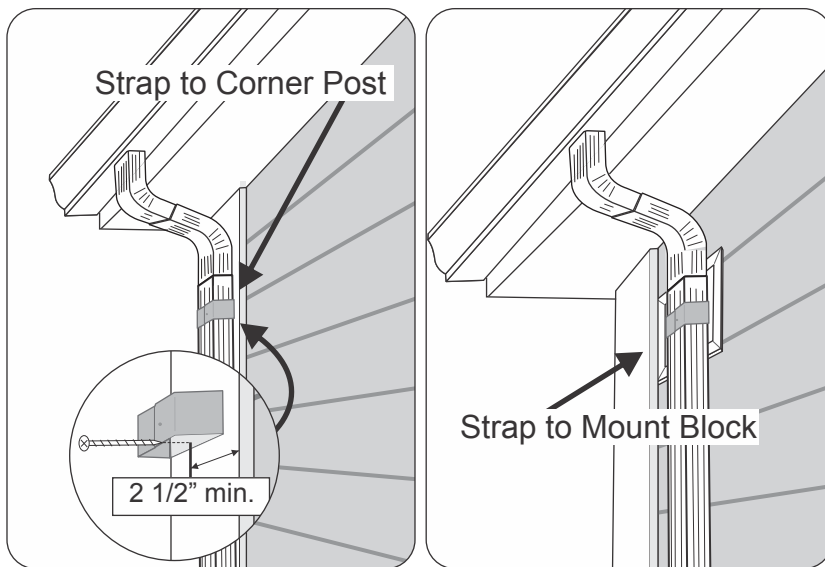


IMPORTANT INFORMATION

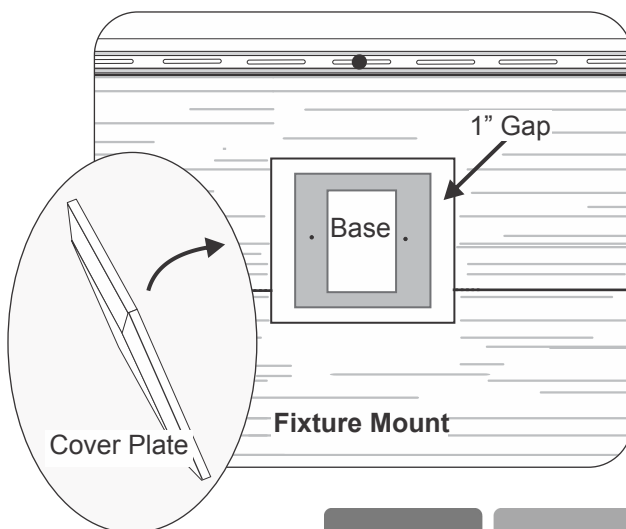
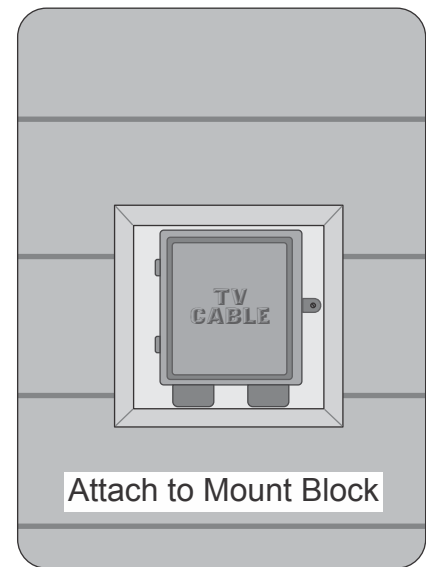
ATTACHING PRODUCTS TO CELECT SIDING

Celec Cellular Composite Siding expands and contracts as the temperature changes. Allowing for this movement is critical to the success of the siding installation. Following the guidelines below will help ensure this success.

Downspouts



Utilities



Mount Block Installation

- Celec fixture mounts are available for obstructions such as lighting, dryer vents, water faucets, etc. Begin by installing the base "ring". **(If the siding has been previously installed, cut a rectangle out of the siding 2" wider and 3/4" higher than the mount base.)** Install the siding panels allowing for the appropriate expansion gap. Center and secure the face plate with two Celec Cortex trim screws and plugs.
- Fixture mounts can also be field constructed using Cellular PVC. The pocket depth must be 2" along the sides and 3/4" top and bottom to allow for the appropriate expansion gap.



CELLULAR COMPOSITE SIDING BY ROYAL

For complete Celec installation instructions see: RoyalBuildingProducts.com/Celec and youtube.com/royalbuildingproduct