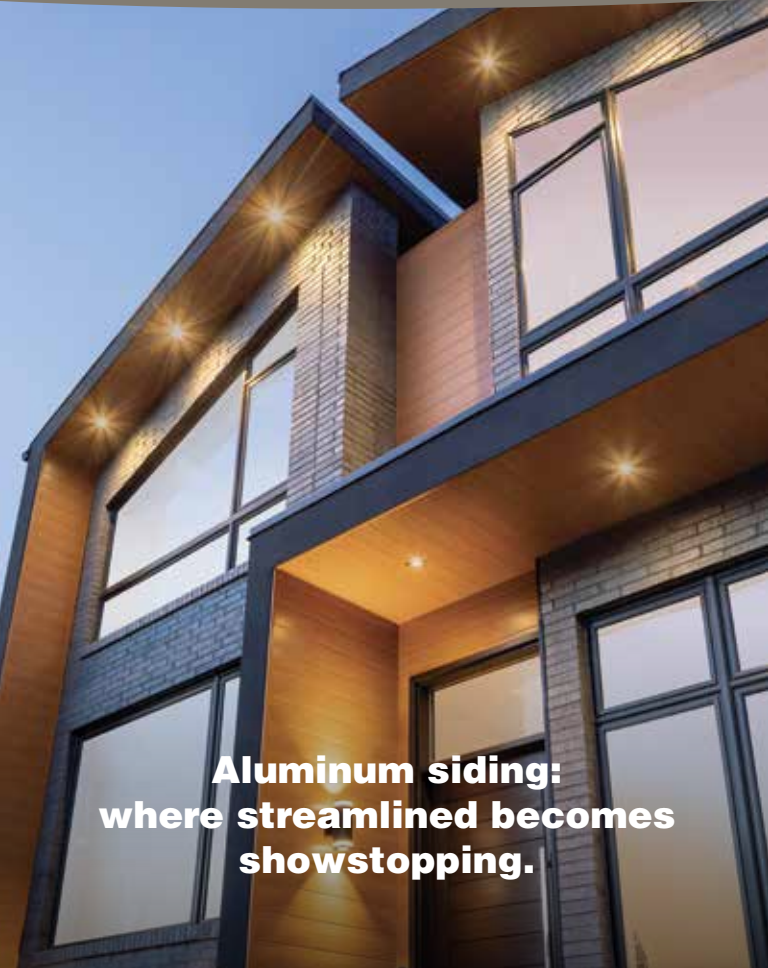




**CEDAR RENDITIONS**  
BY ROYAL™

DESIGN SERIES INSTALLATION INSTRUCTIONS



**Aluminum siding:  
where streamlined becomes  
showstopping.**



# Table of Contents

---

Important Notes .....	4
Wall Preparation .....	6
Installation Accessories .....	10
Installation Panels .....	13
Premium Colours .....	17
Installation Soffit and Fascia .....	18





## What is Cedar Renditions Design Series?

Cedar Renditions is where the versatile, sturdy durability of thicker gauge aluminum siding meets wider board, contemporary wood aesthetics and streamlined looks.

### **Design Series features:**

- 4", 6" and 8" Siding, modern streamlined profile.
- 6" Soffit to achieve a stylish look.
- Easy to install with a drop-in interlock system.
- Seamless overlapping notch to achieve coverage greater than 12ft.
- Residential and light commercial applications.
- Affordable price.
- 100% recyclable.
- 25-year prorated limited warranty.
- Compatible with the rest of Cedar renditions line of products.



## Important Notes

### **Storage and Transportation**

When transporting the siding to a job site, make certain to keep the cartons flat and supported along their entire length. At the job site, take the following precautions when storing the product:

- Store the cartons on a flat surface and support the entire length of the cartons.
- Keep the cartons dry.
- Do not store the cartons in stacks more than 6 cartons high.
- To prevent damage to the product, it is best for the cartons to be carried by two people.

## **Tools and Equipment**

- Hammer
- Miter saw with 80T or equivalent non-ferrous metal cutting blade
- Utility Knife
- Tape measure
- Pencil
- Chalk line
- Level
- Circular saw (80T or equivalent non-ferrous metal cutting blade)
- Snips
- Square
- Safety gear

## **Fasteners**

When choosing a fastener for aluminum cladding products, first check with local building code officials for possible requirements. In lieu of special code requirements, Royal Building products recommends the following;

Nails:

- Nails should be a length to be able to penetrate no less than 1¼" (31.75mm) into framing or furring.
- Nails must be aluminum or stainless steel and should have a head of at least 5/16" (7.9mm ) in diameter and a shank of 1/8" (3.2mm).

# Wall Preparation

---

## **Water-Resistive Barrier**

Royal aluminum siding is an exterior cladding, not a water resistive barrier, and are designed to allow the material underneath to breathe. This factor provides a supplemental rain screen that reduces the amount of water that reaches an underlying water-resistive barrier. Water-resistive barrier systems often consist of a combination of exterior cladding such as aluminum siding, flashed wall opening and penetrations, water-resistive material and sheathing. The level of water resistance required is determined by the applicable building code, the structure and the climate.

## **New Construction**

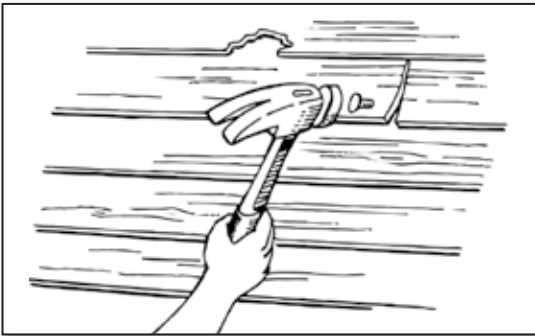
- Aluminum siding must be installed over rigid sheathing. The siding should never be applied directly to studs without sheathing. There may also be other installation requirements (furring strips, etc.) prior to the installation of the siding. Consult local building codes for specific requirements.

# Wall Preparation

---

## Residing

- A flat level wall surface is necessary for proper installation of the siding. If re-siding over existing wood siding, a wall leveling foam or furring strips can be used. Consult local building codes for specific requirements.
- The wall surface should be as dry as possible during the installation process.
- It is important to nail down loose boards of existing siding, and replace any rotten ones.
- Scrape off loose caulk and re-caulk around doors, windows and other areas to resist moisture penetration.
- Remove all protrusions such as gutters, downspouts and light fixtures.

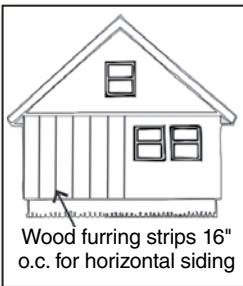




# Wall Preparation

## Masonry Walls

- Apply minimum 1" X 3" (19mm X 64mm) furring strips at 12" to 16" (304mm-406mm).
- Furring should be installed along all trim areas such as windows, doors under overhangs, corners, etc., and along the bottom of the walls.
- To achieve a more solid feel, fill the areas between the furring strips with foam board as defined by building code.
- **IMPORTANT: In some areas, additional strapping may be required when installing cladding. The following descriptions are typical for those applications.**
- Furring or strapping must be applied to all walls receiving the siding 1" X 3" (19mm-64m).
- For horizontal siding, the furring should be installed vertically at approximately 16" (406m) intervals.
- For vertical siding, the furring should be installed horizontally at approximately 12" (304m) intervals.
- Frame all walls, windows doors, etc. with the furring strips.

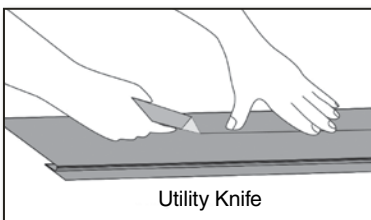
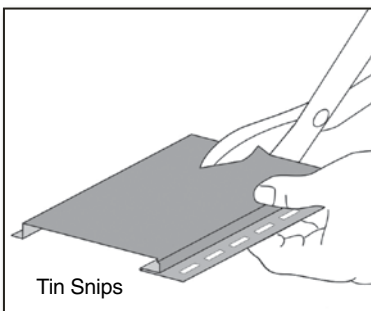
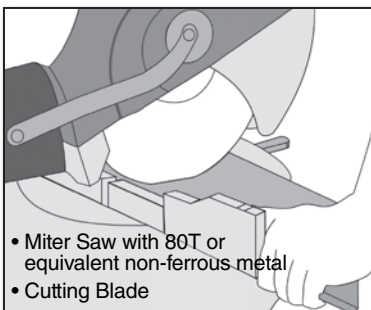


# Wall Preparation

---

## Cutting

- **CAUTION:** Safety glasses should be worn at all times during the cutting process.

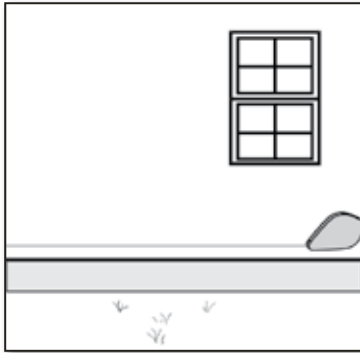


# Installation Accessories

---

## Strike a Chalk Line

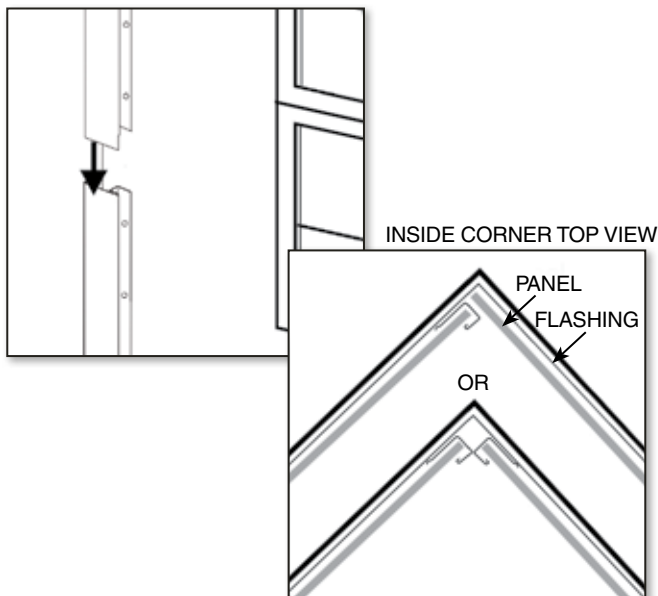
- Determine the lowest corner of the walls to be sided. Measure up to establish the point that will represent the top of the bottom J channel.
- Using a level, strike a chalk line from this point, around all walls to be sided. (In some situations, it may be possible to measure down from overhangs equally, to establish this line.)



# Installation Accessories

## Outside and Inside Corners

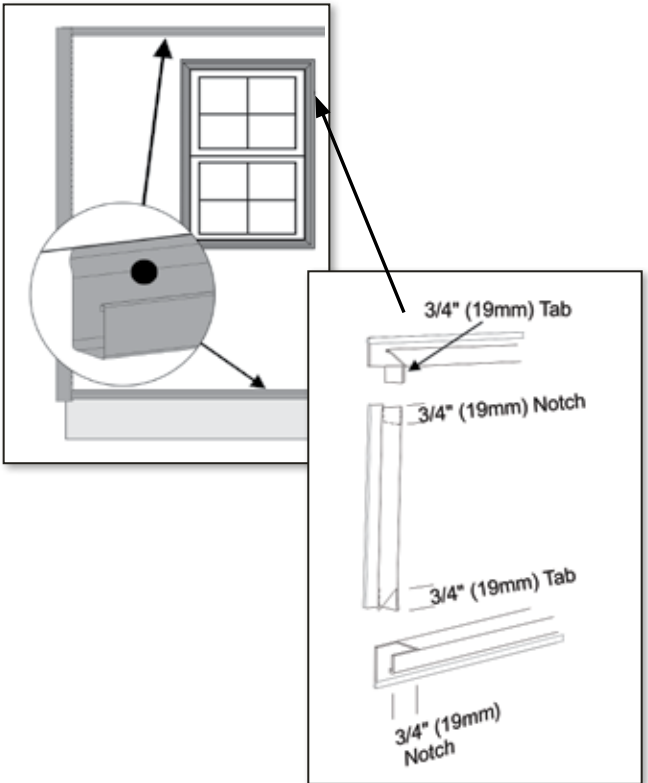
- Make sure posts are plumb. Strike a chalk line if necessary.
- Secure the post by placing fasteners at 8" to 12" (203mm-305mm) intervals.
- Allow 3/8" (9.5mm) gap at the bottom if the post is to be placed over concrete, decking, etc.
- If more than one length of corner post is required, remove 3/4" (19mm) from the nail hem and receiving channel of the upper post and overlap the post by 3/8" (9.5mm).
- For inside corners, two J channels back to back can be used or one J channel against the siding of the adjacent wall.



# Installation Accessories

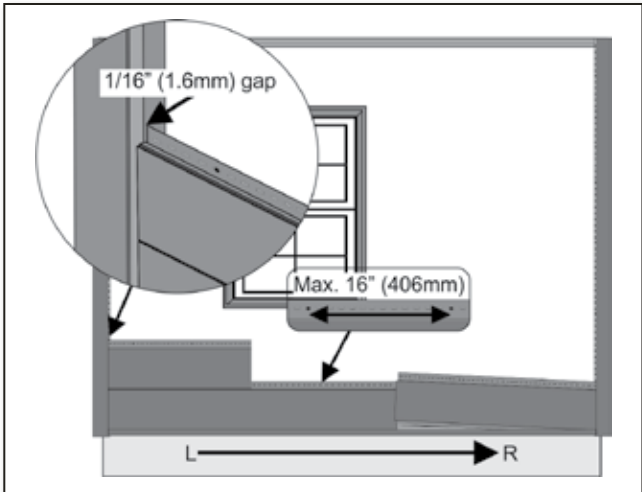
## Trimming Around Doors

- Install Starter strip at the bottom of the wall aligning the top of the channel with the chalk line and the top of the wall. Fasten the channel every 8" to 12" (203mm- 305mm).
- Install J channel around windows, doors, and all openings as shown below, fastening every 8" to 12" (203mm- 305mm) beginning with the bottom piece, then sides, then top.



# Installation Panels

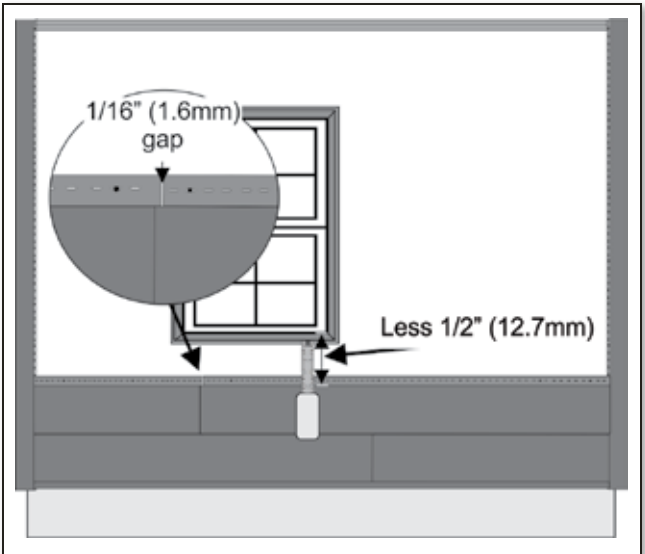
- Install panels to avoid overlap being exposed to higher traffic areas whenever possible.
- Place the first panel into the J channel and corner post. Position the panel so there's a 1/8" (3.2mm) gap in the corner between the end of the panel and the inside of the corner.
- This gap should accommodate expansion and contraction as temperatures changes
- Fasten the panel in the center of the nail slots, leaving 1/32" (.8mm) between the fastener and the panel to allow the panel to expand and contract. Space fasteners at 16" (406mm) maximum.
- Install the remainder of the course allowing 1/8" (3.2mm) between the nailing hems of the panels to allow for expansion and contraction of the panels through temperature changes.



# Installation Panels

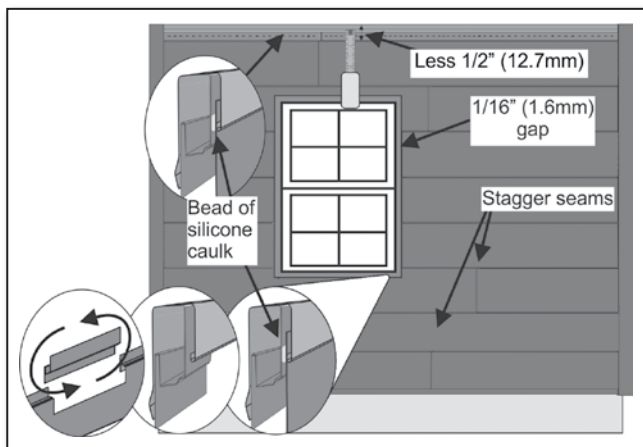
## Trimming Around Doors

- Install subsequent courses making sure to randomly spread out the seams trying not to have any laps closer than 24" (610mm) to each other to make them less noticeable. Seams should never repeat unless separated by three courses.
- When measuring the height for panel cuts under windows, doors, etc., subtract 1/2" from the measurement to allow for engagement of the lock when installing the panel(s).
- To add support for the window cut under the window, use the piece removed from the panel by flipping the piece around and securing it inside the J channel. The cut edge of the panel can then be inserted between the support piece and the channel.



# Installation Panels

- Use the same method used for under windows to determine the height of the final top course of panels. To add support for the top course cut, use the piece removed from the panel by flipping the piece around and securing it inside the J channel. Run a continuous bead of silicone caulk along the cut on the back side of the panel. The cut edge of the panel can then be inserted between the support piece and the channel.





# Premium Colours

---

- The Cedar Renditions Premium Colours include three different variations in colour.
- Each 6" siding and soffit are marked on the back "Light", "Medium" and "Dark" referencing the different shades.
- Each 8" panel is identified in the back letters "A" through "E" referencing the different shades.
- For the best overall appearance, it's very important to install the panels in a random pattern, mixing the colours variations both horizontally and vertically throughout the wall (*See diagrams below*).
- **INSTALL TIP: Separate the panels in three stacks of each variation (all Light "L", Medium "M" and Dark "D") and pull randomly from each stack.**

## DO NOT:

- Repeat pattern each course:  
**L♦M♦D♦L♦M♦D**



- Stair-step seams, L on the left, D on the right.

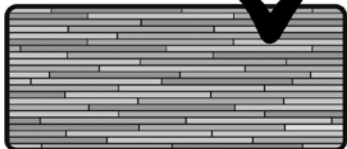


- Not random vertically, only horizontally.



## DO:

- Random throughout, horizontally and vertically.



# 6" Soffit and Fascia Installation

## Preparation

- In residing applications, nail down any loose fascia or wall boards and replace any rotten ones.
- If a fascia board is not present, one will need to be added.
- Nailing strips must be added for spans longer than 24" (610mm).

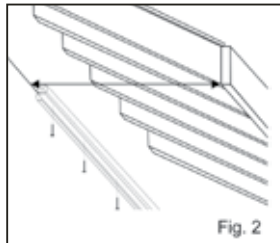
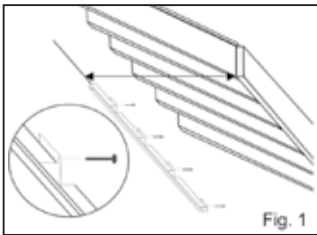
### NOTE: Ventilation

**Requirements:** Proper attic ventilation is important. Consult the local building code for any requirements specific to a geographical area and use vented soffit or other vented products as required.

## Installing Soffit Receiving Channel

If the soffit is to be applied over **open eaves**, the two most common installation practices are: the furring strips with foam board as defined by building code.

- Level across from the bottom of the fascia board to the wall and strike a chalk line.
- Cut and bend up nailing tabs on J channel aligning the channel under the line (Figure 1), or
- Install a 2"X2"(51mm X 51mm) furring strip above the line. Secure the J channel to the furring strip (Figure 2).



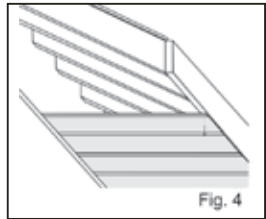
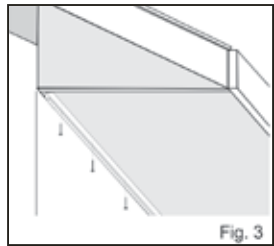
# 6" Soffit and Fascia Installation

If the soffit is being applied over **enclosed eaves**, it may be possible to install the J channel directly to the existing eave material (Figure 3).

- Make certain that the nailing hem of the channel is level with the bottom of the fascia board and that the existing material is secure and will hold the new soffit panels.
- When installing vented soffit, if the existing soffit doesn't have openings for ventilation, cut in an adequate number of openings.
- Check with local building codes for any possible requirements specific to a geographical area.

## Soffit Panel Installation - Standard Method

- Measure from the outer face of the fascia board to the wall and subtract 1/4" (6mm).
- Cut the panel using snips or a circular saw with either a plywood blade install in reverse or suitable metal cutting blade.
- Insert the panel into the channel on the wall making sure the panel is perpendicular to the wall.
- Fasten the panel to the fascia through the nailing hem with aluminum trim or siding nails.
- Continue installing panels lock one into another.



### Premium Colours

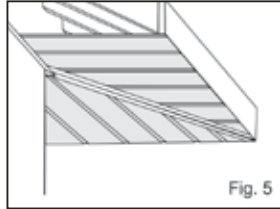
Each 6" Siding and Soffit are marked on the back "A" through "F" referencing the different shades. Each 8" siding is identified in the back with letters "A" through "E" to identify the different shades. For the best overall appearance, it's very important to install the panels in a random pattern, mixing the colours variations throughout the wall.

**INSTALL TIP:** Separate the panels in stacks of each variation and pull randomly from each stack.

# 6" Soffit and Fascia Installation

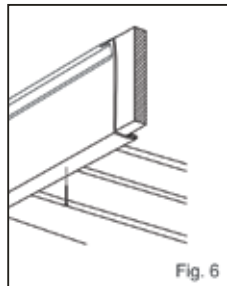
## Turning Corners

- Install back-to-back J channels from the outer edge of the fascia to the corner. Add any necessary wood blocking to support the channel.
- Continue to install the soffit panels cutting them to create the miter. Align the grooves in the panels to create the best appearance.



## Installing Fascia Cover

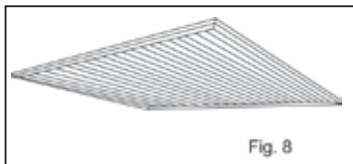
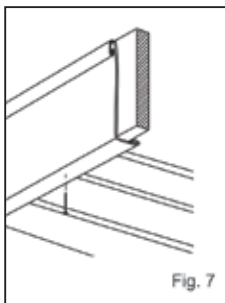
- Aluminum fascia can be either factory or field formed.
- Install the fascia behind the roofing drip edge to hold the top edge of the fascia (Figure 6). If no drip edge exists, field formed finish trim should be installed at the top of the fascia board (Figure 7).
- Fasten the fascia cover with aluminum or stainless steel painted trim nails into the bottom leg, no more than 24" (610mm) on center.
- When overlapping aluminum fascia covers, make sure to overlap 3/4" (19mm).
- Drive the nails through the fascia and only into the "groove" of the soffit.
- If it is necessary to face-nail the fascia, pre-drill holes into the fascia and do not nail tight.
- At inside and outside corners, bend the first piece around by 1" (25mm) overlap the second piece.



# 6" Soffit and Fascia Installation

## Porch Ceilings

- If installing over an existing enclosed porch ceiling and the existing material is solid and able to hold the new material, it is not necessary to install additional wood strips however, if the ceiling is not solid or the existing material cannot support the new material, 1"X3" (25.4mm X 76.2mm) wood strips have to be installed around the perimeter and at 12" (305mm) intervals. (Figure 8)
- Install J channels around the perimeter of the ceiling.
- Install the ceiling/soffit panels in the same manner as on the eave fastening through the nailing hem.
- If more than one length of panel is required, use back-to-back J channels.



### Premium Colours

Each 6" Siding and Soffit are marked on the back "A" through "F" referencing the different shades. Each 8" siding is identified in the back with letters "A" through "E" to identify the different shades. For the best overall appearance, it's very important to install the panels in a random pattern, mixing the colours variations throughout the wall.

**INSTALL TIP:** Separate the panels in stacks of each variation and pull randomly from each stack.

# Alternate 6" Soffit Installation

## Preparation

- In residing applications, nail down any loose fascia or wall boards and replace any rotten ones.
- If a fascia board is not present, one will need to be added.

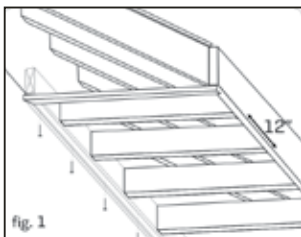
### **NOTE: Ventilation**

**Requirements:** Proper attic ventilation is important. Consult the local building code for any requirements specific to a geographical area and use vented soffit or other vented products as required.

- Level across from the bottom of the fascia board to the wall and strike a chalk line.
- Install a 2"x4"(51mm X 101.6mm) support strip above the line (figure 1).
- Install 2"x4" support blocking (figure 1).
- Additional support blocking is necessary under all seams (figure 1).

## Installing Soffit Receiving Channel

- Secure the J channel to the support strip and at ends (figure 1).



Premium Colours Installation - See note on page 17

# Alternate 6" Soffit Installation

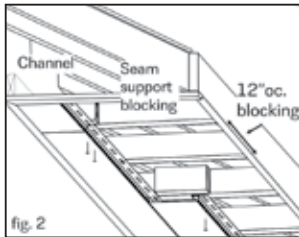
---

## Soffit Panel Installation

- Install the first course of panels placing the bottom lock into the receiving channel.
- Secure the panel fastening every 12"(304.8mm) and at seam support blocking using 1 1/2"(38.1mm) galvanized roofing nails or #8 washer head or cabinet screws, leaving 1/32(.8mm) between the fastener and the panel to allow the panel to expand and contract (figure 2). Install the remainder of the course allowing 1/8" (3.2mm) between the nailing hems of the panels at the seams to allow for expansion and contraction of the panels through temperature changes.

**NOTE:** When overlapping vented panels, it will be necessary to flatten the vent louvers at the end of the overlapping panel to allow the seam to lay flat.

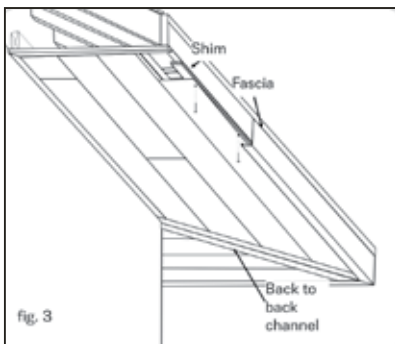
- Continue installing the remaining courses randomly spread out the seams trying not to have any laps closer than 24" (610mm) to each other to make them less noticeable.
- Measure for the last course and trim as necessary. Pre-drill nail holes every 12"(304.8mm). Holes should be larger than the shaft but smaller than the head of the fastener (figure 3).
- Install shims to the underside of the fascia board enough to retain the soffit profile (figure 3).
- Install the final soffit course.



# Alternate 6" Soffit Installation

## Installing Fascia Cover

- Aluminum fascia can be either factory or field formed.
- Install the fascia behind the roofing drip edge to hold the top edge of the fascia (Figure 6). If no drip edge exists, field formed finish trim should be installed at the top of the fascia board (Figure 7).
- Fasten the fascia cover with aluminum or stainless steel painted trim nails into the bottom leg, no more than 24" (610mm) on center.
- When overlapping aluminum fascia covers, make sure to overlap 3/4" (19mm).
- Drive the nails through the fascia and only into the "groove" of the soffit.
- If it is necessary to face-nail the fascia, pre-drill holes into the fascia and do not nail tight.
- At inside and outside corners, bend the first piece around by 1" (25mm) overlap the second piece.







# Notes

---

---

---

---

---

---

---

---

---

---

---

---

---

---

---

---

---

---

---

---

---

---

---

---

---



Royal® Building Products exists for one reason: to push the limits of what every type of exterior can be. We strive for best-in-class manufacturing and industry-leading innovation. What drives us? Every homeowner who demands exteriors that add value, perform impeccably, look amazing and make their lives easier. Our goal is to bring more products, more styles, more technology, more design insight and more sustainable solutions to the attention of everyone who cares about creating the best exterior possible. Build Royal™

# Build™



CELECT® CELLULAR COMPOSITE SIDING



ROYAL® TRIM & MOULDINGS



ROYAL® VINYL SIDING



HAVEN® INSULATED SIDING



ROYAL® SHUTTERS, MOUNTS & VENTS



ZURI® PREMIUM DECKING



CEDAR RENDITIONS™ ALUMINUM SIDING



PORTSMOUTH™ SHAKE & SHINGLES

 **ROYAL®** Building Products  
A Westlake Company

**CEDAR RENDITIONS**  
BY ROYAL™

Rethink aluminum with Royal Building Products.

RoyalBuildingProducts.com/CedarRenditions  
1.855.ROYAL85

For product warranty details, please visit [RBPWarranty.com](http://RBPWarranty.com)  
© 2021 Royal Building Products